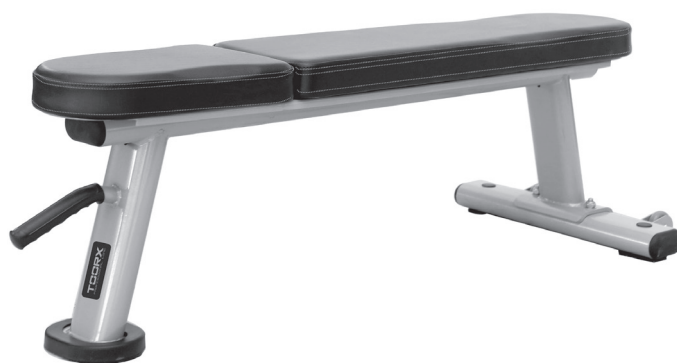


TOORX
PROFESSIONAL LINE

INSTRUCTION



WBX2000

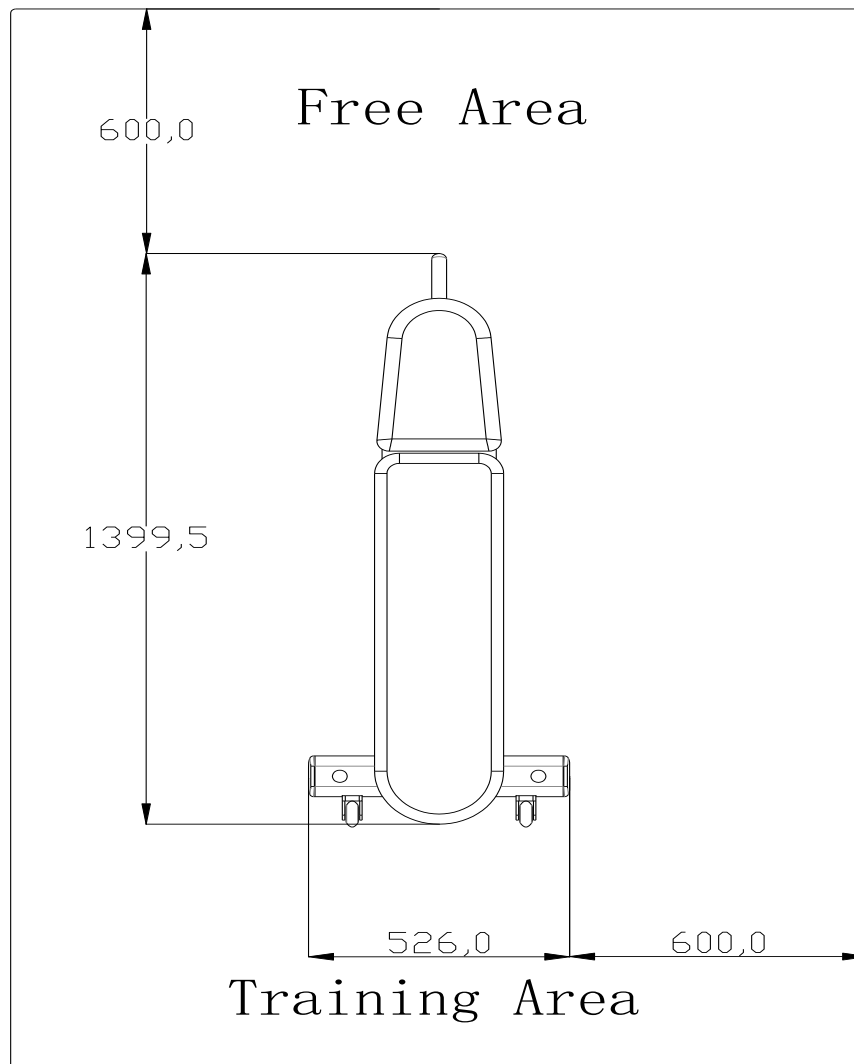


Cod : GRLDTOORXWBX2000

Rev : 00

Ed : 06/18

Training Area and Free Area



Specifications

Class: S

Maximum Wt. Capacity: 200kg/440IBS

Maximum User Weight: 135kg/297IBS

Product Total Surface: 1399.5*526*446mm

Product Total Mass: 26kg/57.2IBS

REGULAR MAINTENANCE

1. The safety level of the equipment can be maintained only if it is examined regularly for damage and wear, e.g. ropes, pulleys, connection points;
2. Pay special attention to components most susceptible to wear.
3. Replace defective components immediately and /or keep t he equipment out of use until repair;
4. This equipment should carry on regular maintenance according to the following chart:

MAINTENANCE	EVERYDAY	EVERY WEEK	THREE MONTHS
Check: connecting, bolt, Weight stack bolt	√		
Clearance: cushion and cover	√		
Lubrication: place of sliding			√
Check: bolt if tighten		√	
Lubrication: Bracket of bearing			√

INSTALL SKETCH MAP

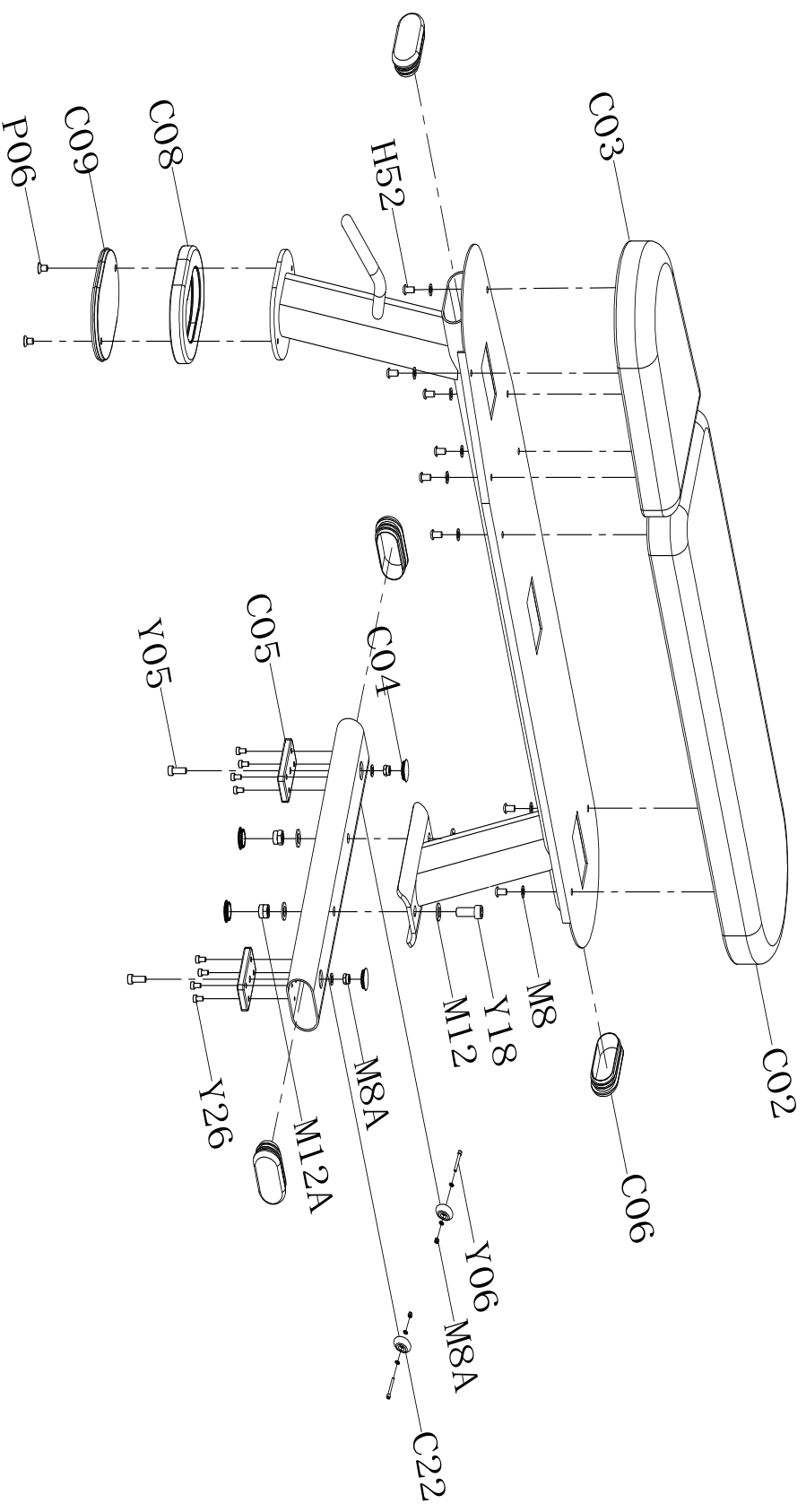
Let assembly become easier

All the content of user's manual is to assured the strength training machine can be installed more easily

Reading the details and instructions before installing:

1. Because the size and weight of equipment is so large, Please choose the installed place near the desired station and assured there is enough space to exercise
2. All parts can be put on the clear area, then backout the wrapper. And the wrapper can't be through away before installation finished.
3. Screw the bolt tightly except the additional instruction
4. All parts must be installed according the illustration indication.
5. Installation work can be finished by tow men
6. Identify all parts by part identify chart

Exploded Picture



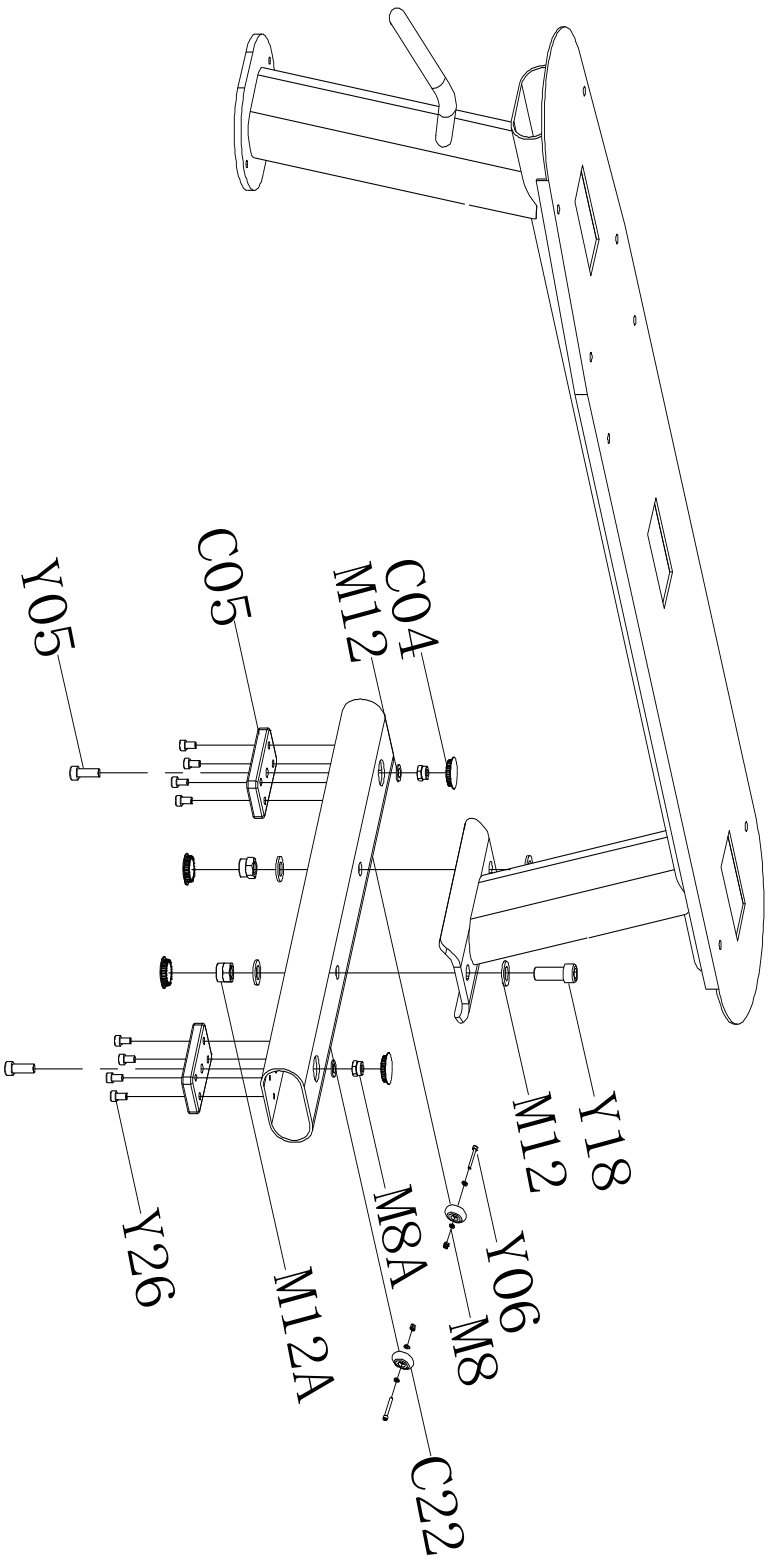
Assemble Step:

Use tool:

- 1. M6 Hex spanner**
- 2. Two 17-19 spanner**

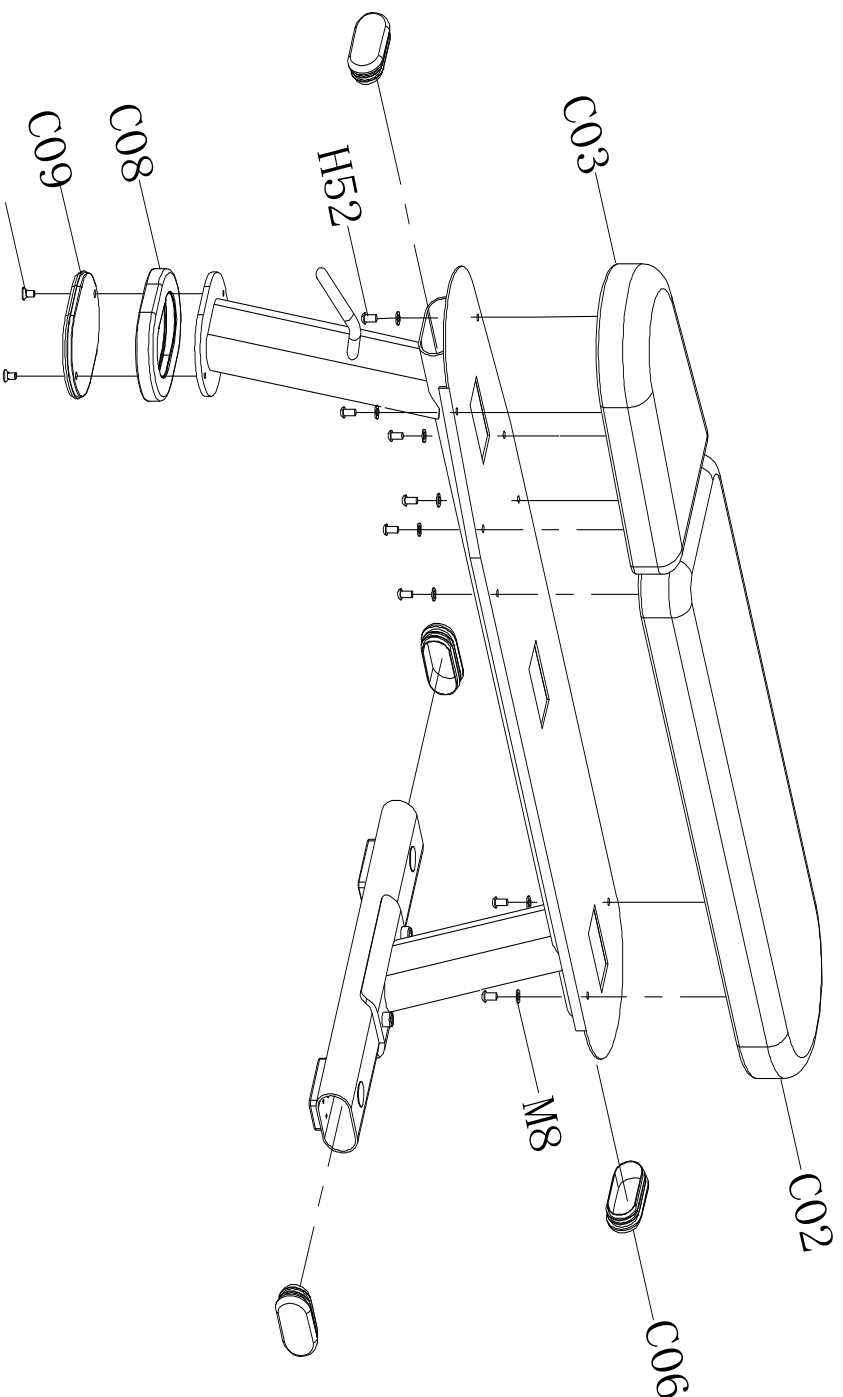
Step. 1

NO.	Name	Specification	Qty	NO.	Name	Specification	Qty
Y18	socket cap screw	M12*35L	2	M12A	nut	M12	2
M12	washer	M12	4	C05	Ground floor mat	48*80*13t	2
C04	plugs	∅25	4	Y05	socket cap screw	M8*25L	2
M8A	nut	M8	2	Y26	socket cap screw	M6*12L	8
C22	pulley	∅64*25t	2	Y06	socket cap screw	∅8*55L	2
M8	washer	M8	6	M12	washer	M12	4



Step. 2

NO.	Name	Specification	Qty	NO.	Name	Specification	Qty
C03	head cushion	260*375*70T	1	C08	Rubber sleeve	24T*125*174L	1
C02	back cushion	260*910*70T	1	C09	Ground floor mat	137*119*168L	1
C06	plugs	50*100	4	P06	phillips screws	M8*16L	2
H52	semicircle head screws hexagon	M8*16L	8	M8	washer	M8	8





GARLANDO SPA
Via Regione Piemonte, 32 - Zona Industriale D1
15068 - Pozzolo Formigaro (AL) - Italy
www.toorx.it - info@toorx.it